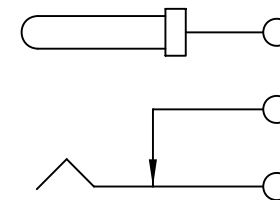
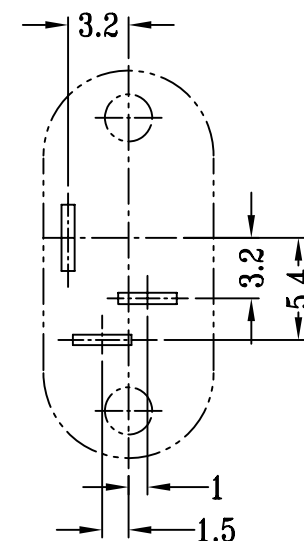
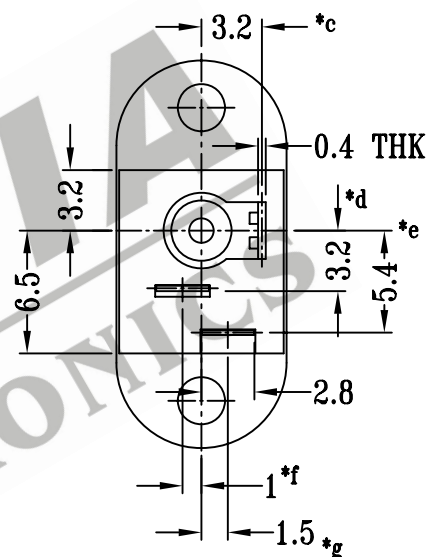
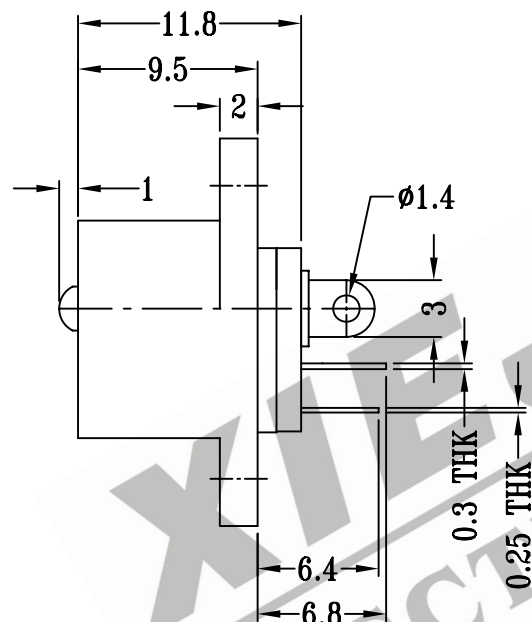
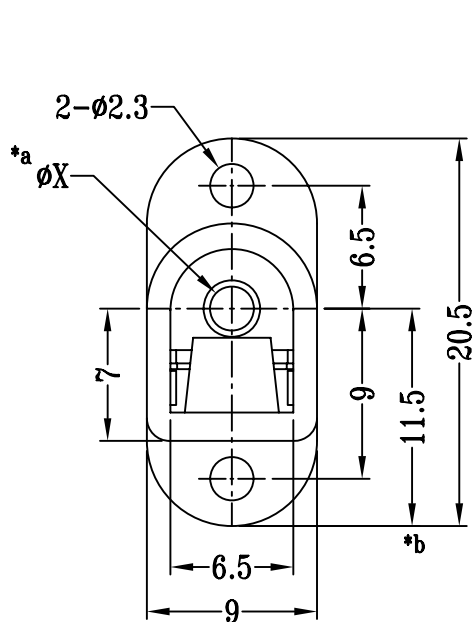


CAD FILE:



SCHEMATIC



P.C.B LAYOUT

注：“*”表示关键尺寸（7个）

DIA. OF PIN 'A'	A=2.5mm
DIA. OF PIN 'B'	B=2.0mm
DIA. OF PIN 'C'	C=2.35mm

NO.	PARTS	MATERIALS	Q'TY	FINISH	TOLERANCE UNLESS SPECIFIED	SHENZHEN XIEJIA ELECTRONICS CO.,LTD.				
8						TITLE : DC POWER JACK MODEL: DS-225				
7										UNIT : mm
6	CONTACT	BRASS STRIP	1	Ag PLATED OVER Ni PLATED	WITHIN: 1.5±0.1mm	ISSUE	DATE	DESCRIPTIONS OF REVISION		APPD.
5	TERMINAL	BRASS STRIP	1	Ag PLATED OVER Ni PLATED	OVER : 1.5±0.2mm					
4	SPRING TERMINAL	PBS STRIP /STAINLESS STEEL	1	Ag PLATED OVER Ni PLATED		SCALE: 5:2		DRWG NO.: XJ-DR-DS225-00		
3	TERMINAL BASE	PHENOLIC RESIN	1	NATURAL		CHK'D	ZHOUYU	2006-3-21		
2	CASE	PC	1	BLACK		APPD.	FANGYING	2006-3-21		
1	PLUG PIN	BRASS	1	Ni PLATED		APPD.	KANGXINAN	2006-3-21		
ALL MATERIALS MUST BE COMPLIANT TO ROHS										